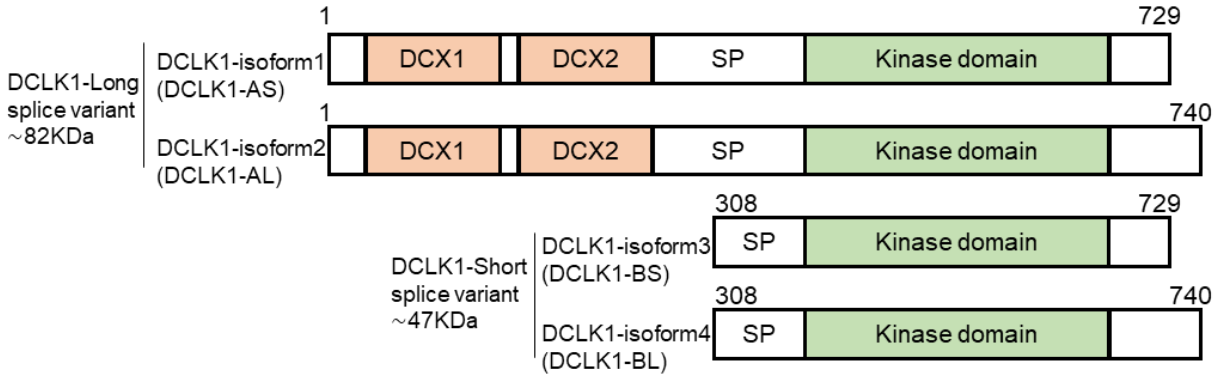
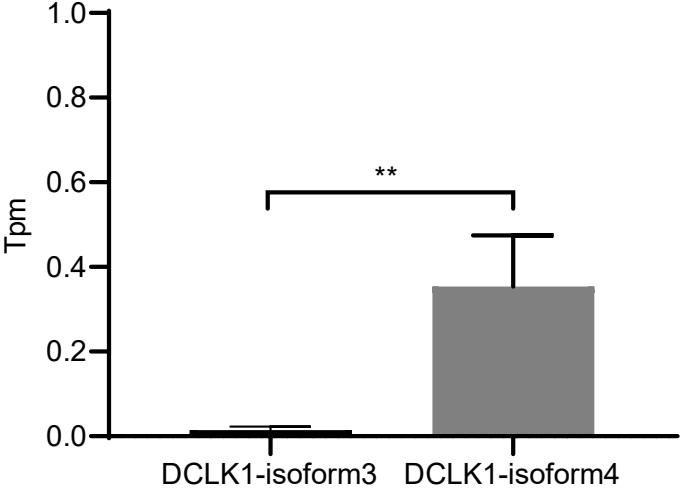


Supplementary Figure 1

(A)



(B)



Supplementary Figure 1. DCLK1 isoforms. **A.** Diagrammatic presentation the length of each isoform and the shared protein kinase domain between DCLK1 isoforms in UniProt (www.uniprot.org/uniprot/O15075). DCX1=Doublecortin1; DCX2=Doublecortin2; P/S=Pro/Ser rich domain. **B.** DCLK1-isoform3 was rarely expressed in ESCC patients (# expressors/total) compared to DCLK1-isoform4 (# expressors/total) in the TCGA dataset.